

TITLE: The Veteran SDR Amplifier Circuit

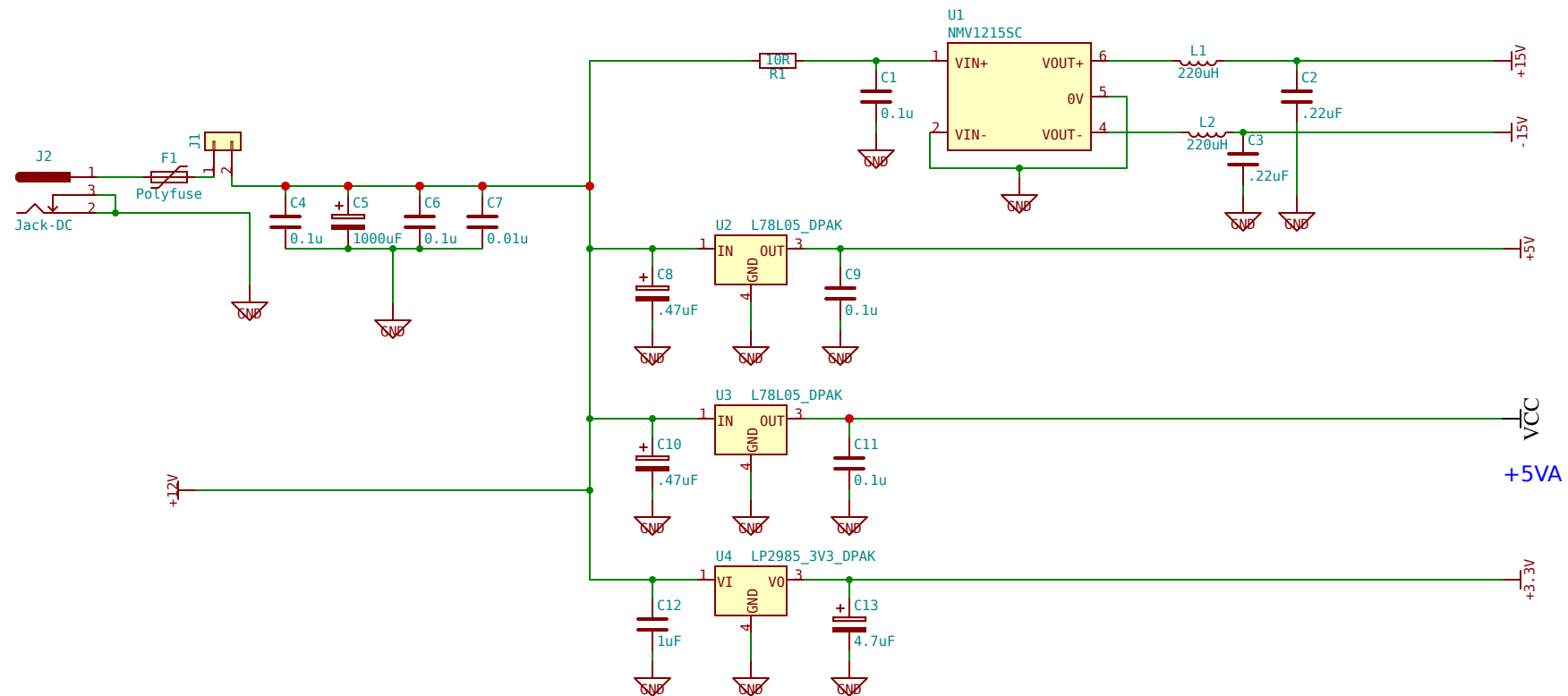
REV: 2

Date: 2019-04-13

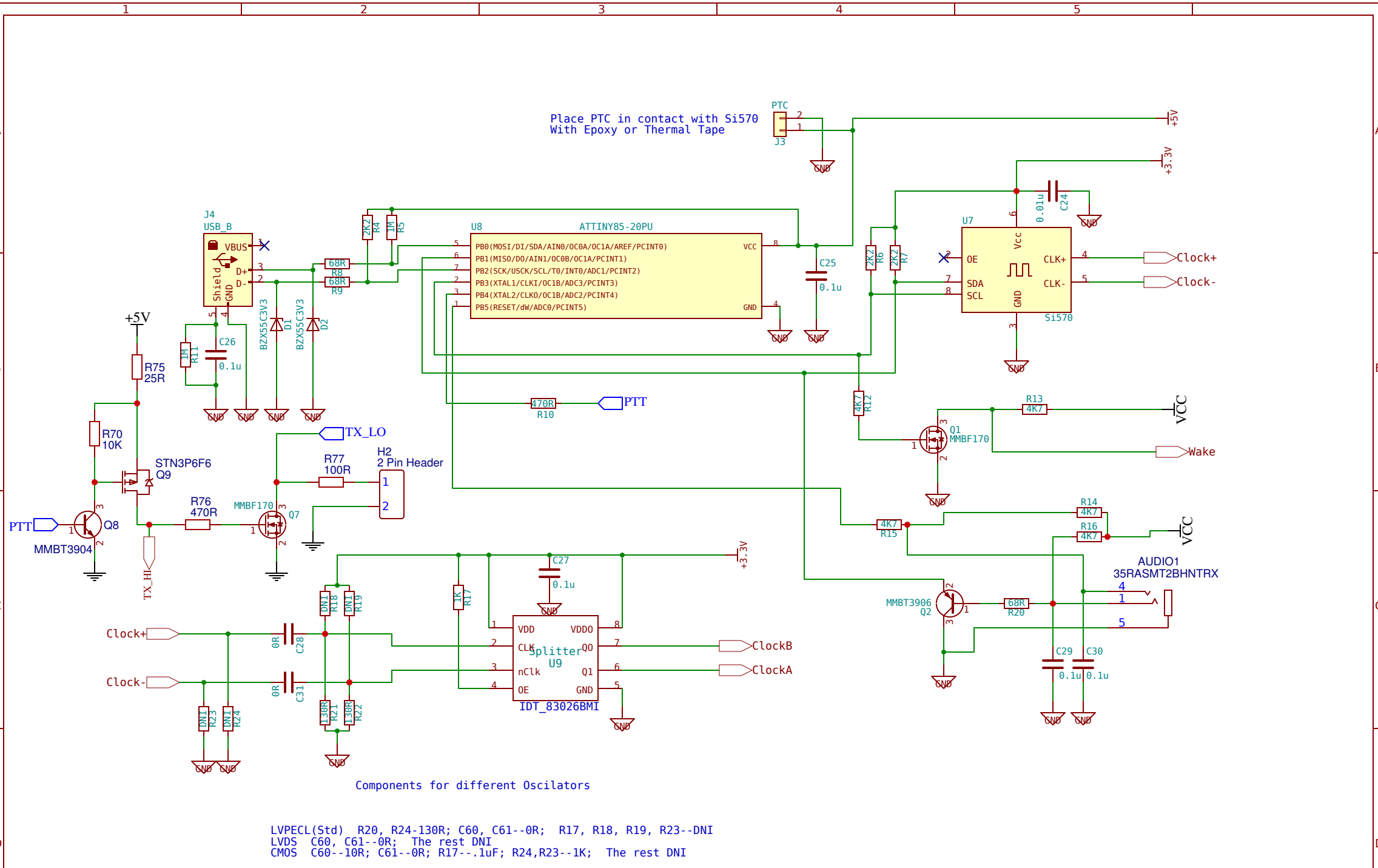
Sheet: 9/10

EasyEDA V5.6.15

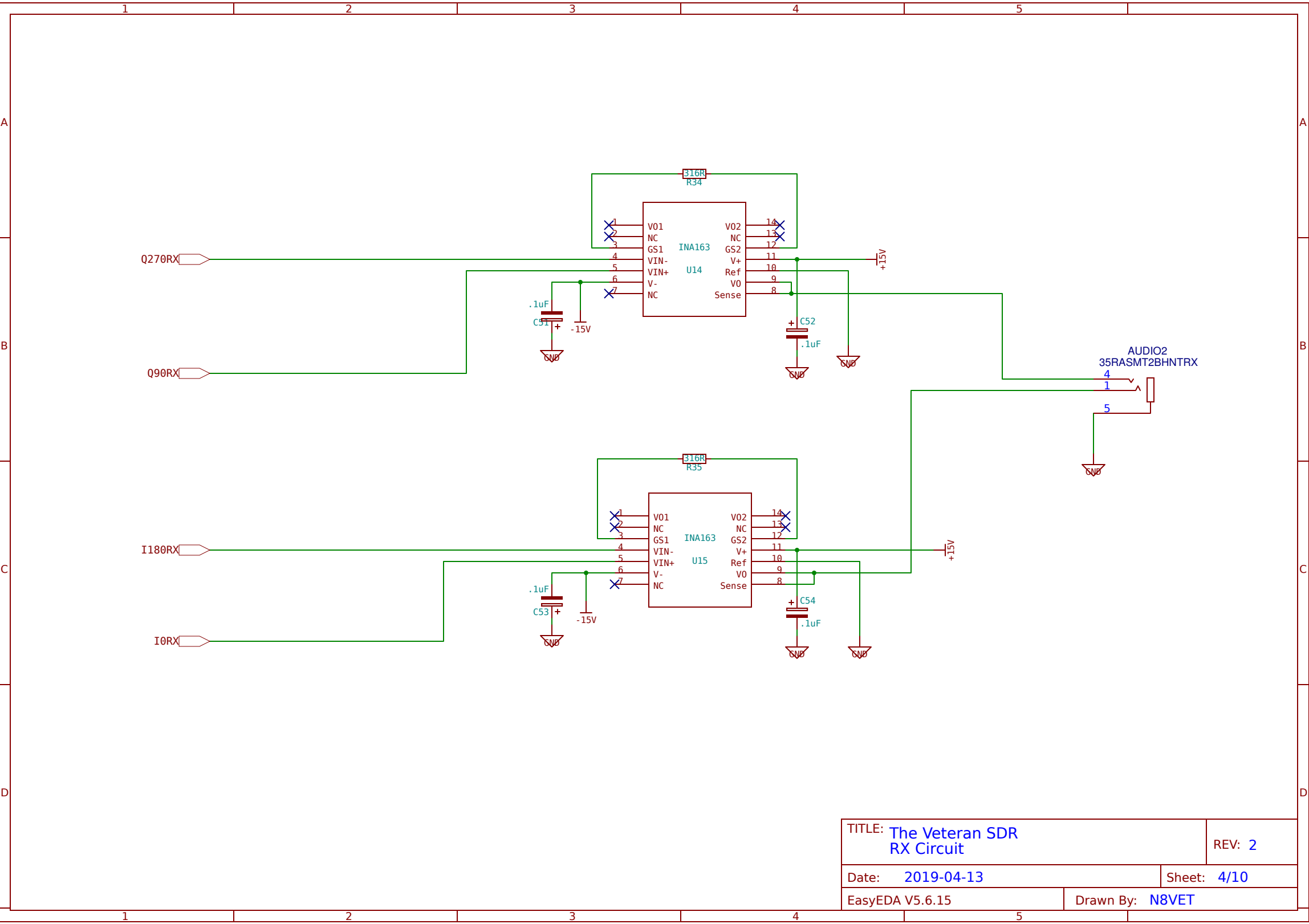
Drawn By: NBVET



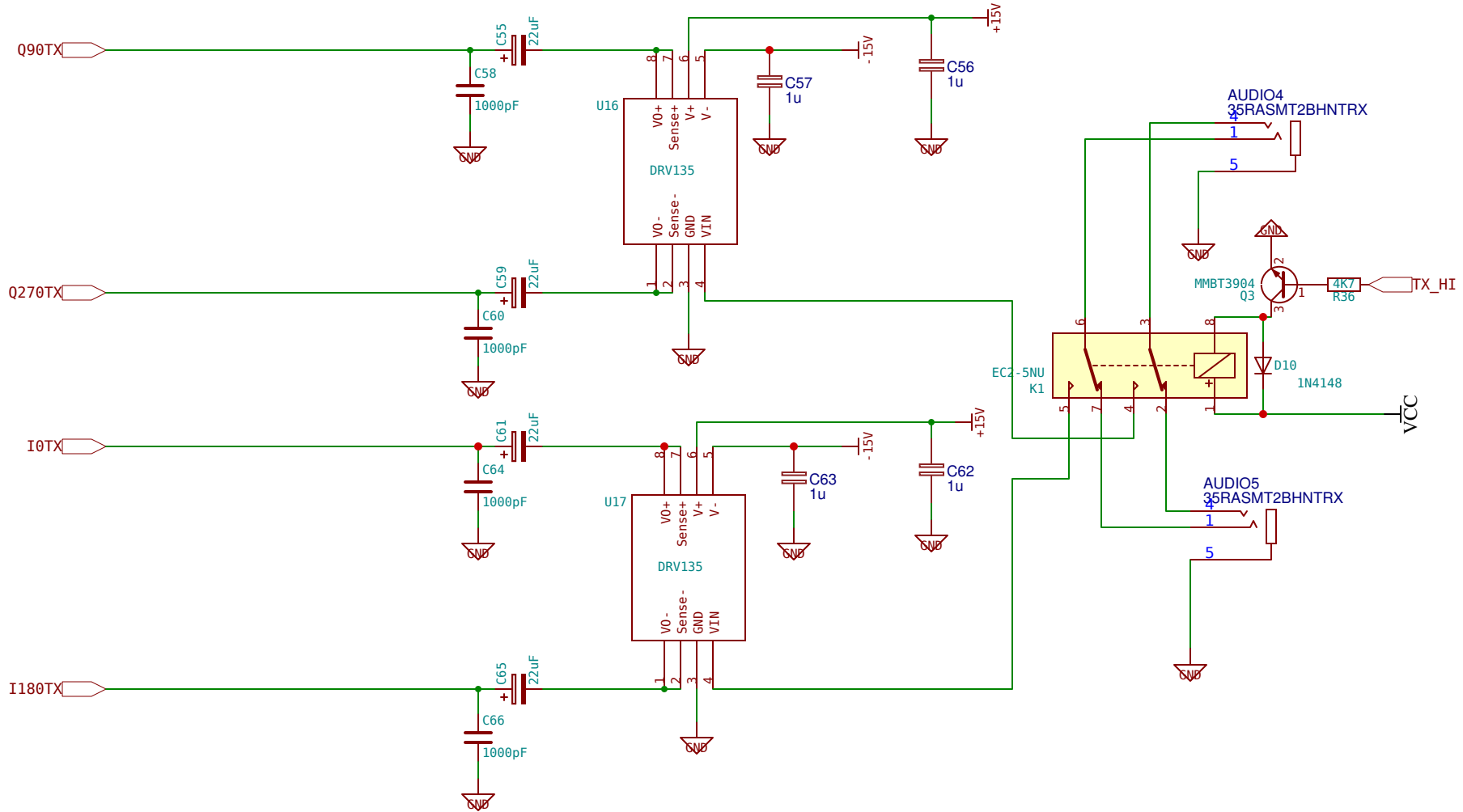
TITLE: The Veteran SDR Power Circuit		REV: 2
Date: 2019-04-13	Sheet: 1/10	
EasyEDA V5.6.15	Drawn By: N8VET	



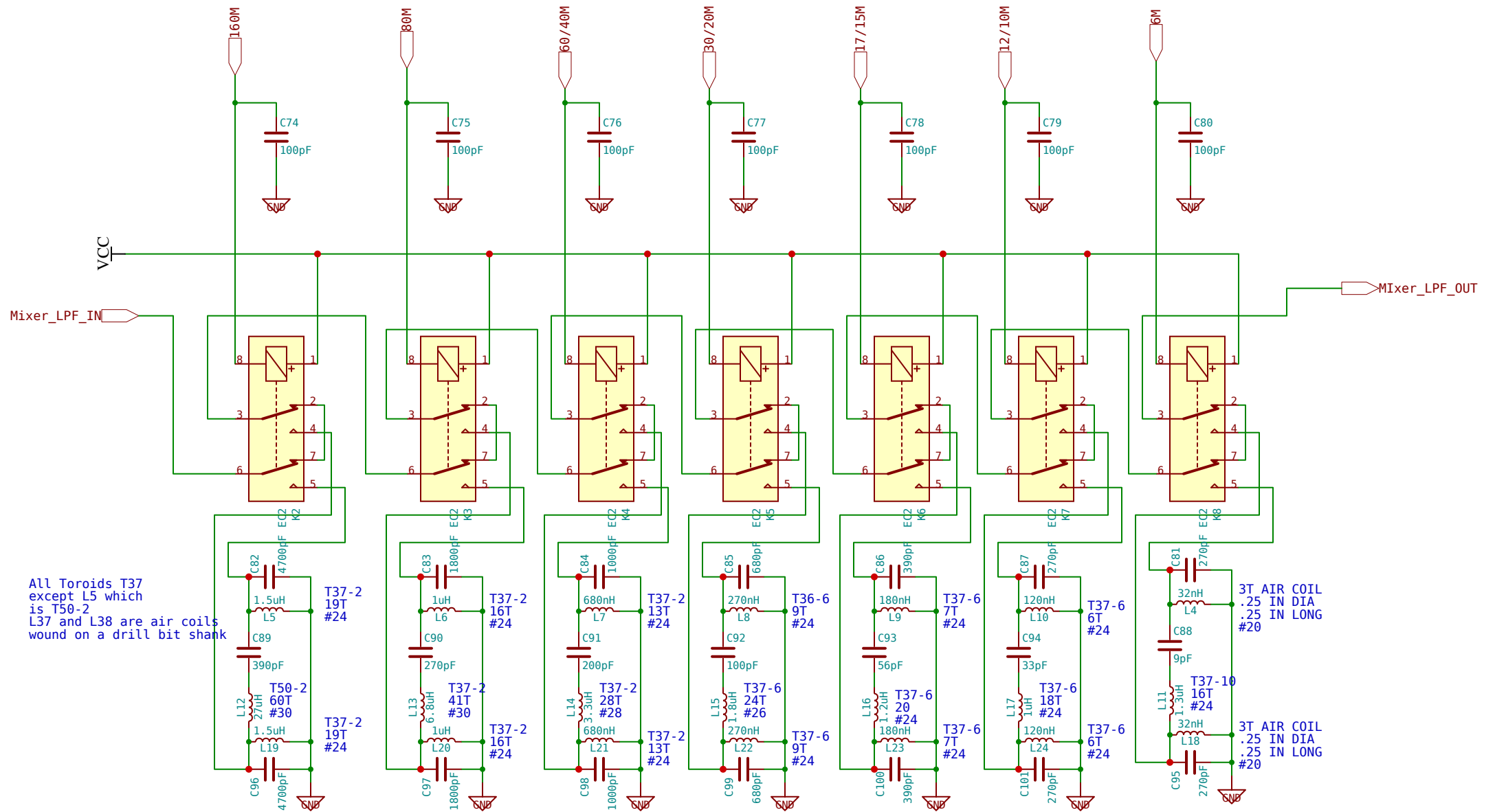
TITLE: The Veteran SDR Oscillator Circuit		REV: 2
Date: 2019-04-13	Sheet: 2/10	
EasyEDA V5.6.15	Drawn By: NBVET	



TITLE: The Veteran SDR RX Circuit		REV: 2
Date: 2019-04-13	Sheet: 4/10	
EasyEDA V5.6.15	Drawn By: NBVET	



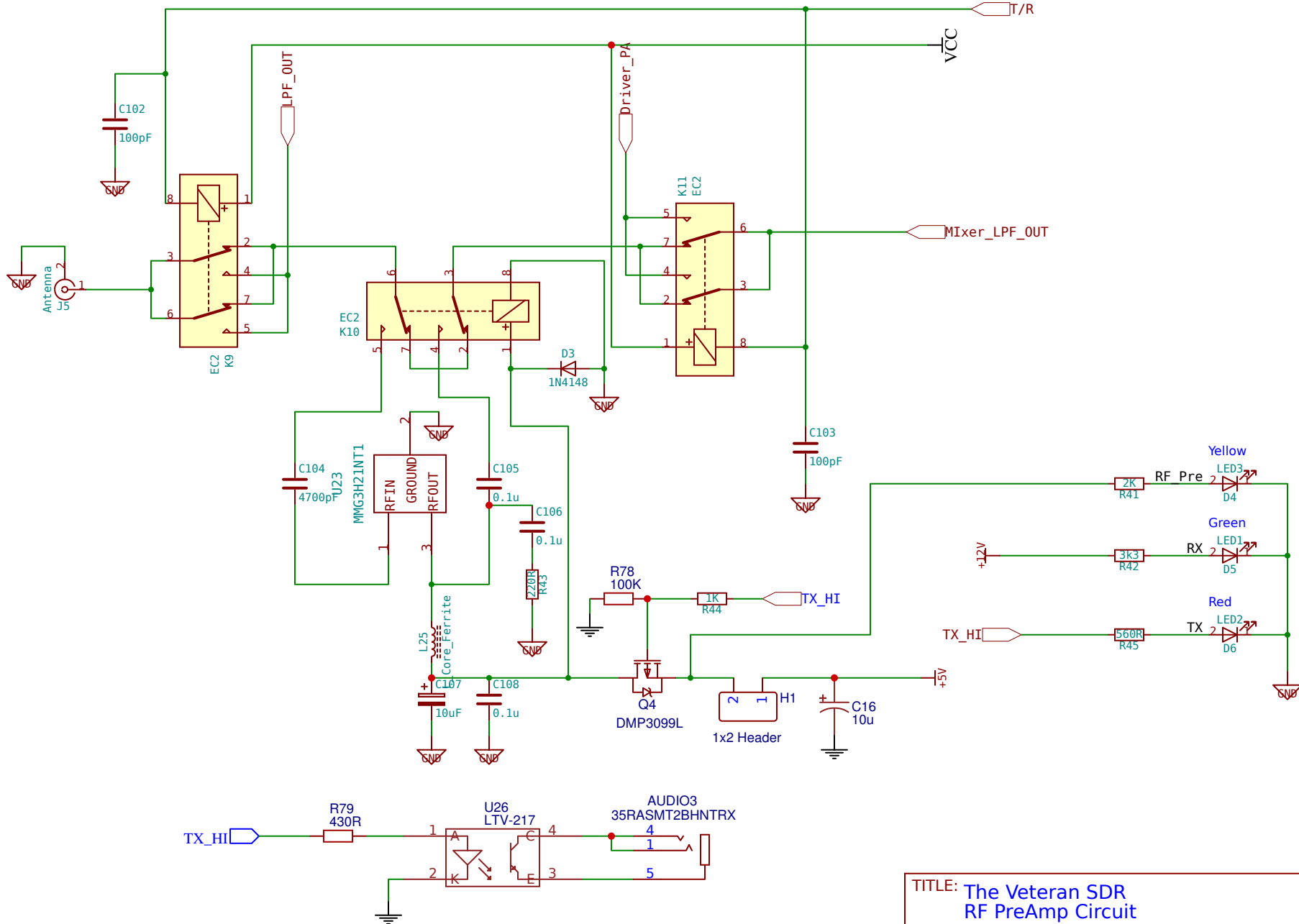
TITLE: The Veteran SDR TX Circuit		REV: 2
Date: 2019-04-13	Sheet: 5/10	
EasyEDA V5.6.15	Drawn By: NBVET	



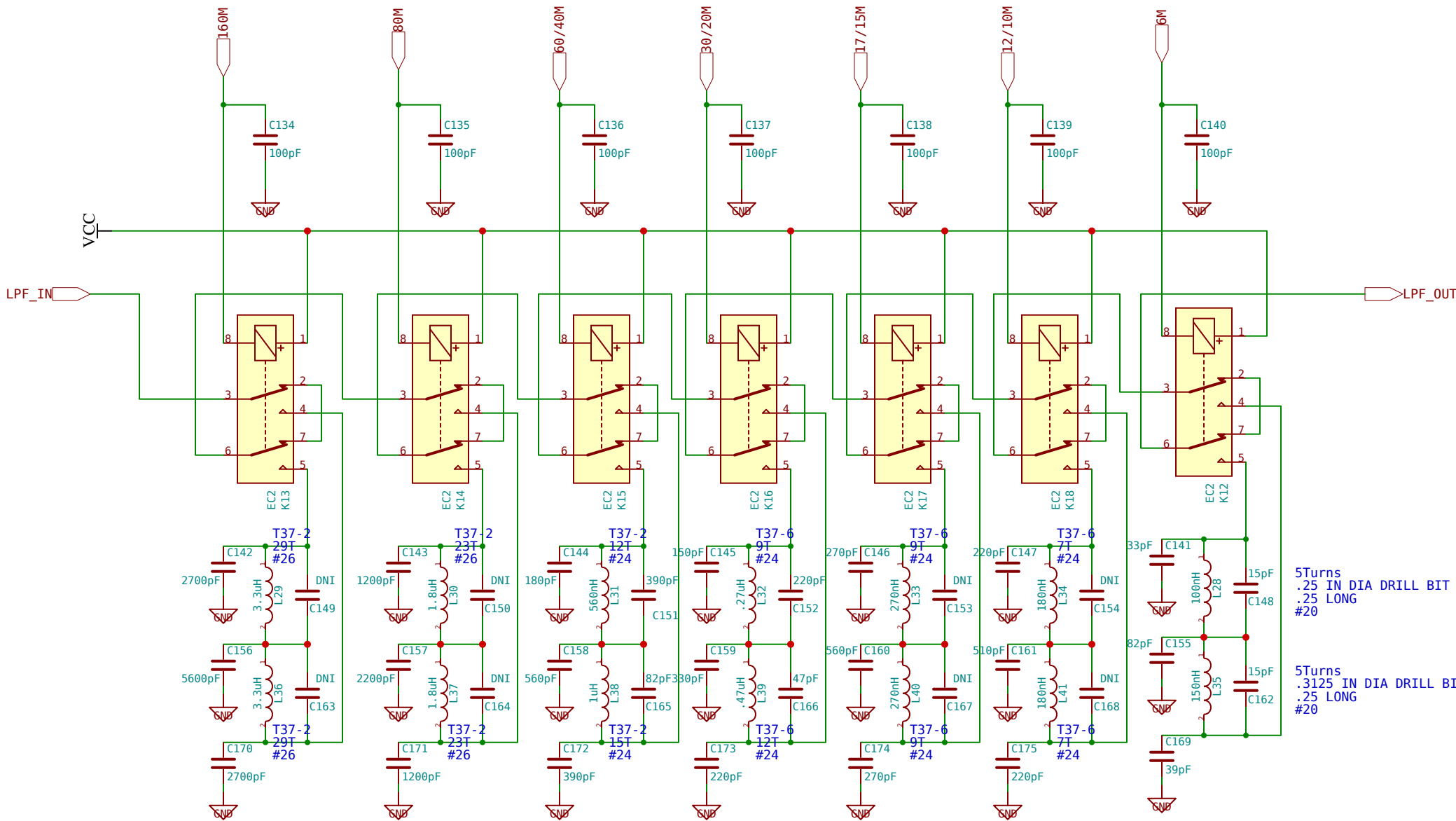
All Toroids T37 except L5 which is T50-2
 L37 and L38 are air coils
 wound on a drill bit shank

3T AIR COIL
 .25 IN DIA
 .25 IN LONG
 #20

TITLE: The Veteran SDR BPF Circuit		REV: 2
Date: 2019-04-13	Sheet: 7/10	
EasyEDA V5.6.15	Drawn By: N8VET	



TITLE: The Veteran SDR RF Pre Amp Circuit		REV: 2
Date: 2019-04-13	Sheet: 8/10	
EasyEDA V5.6.15	Drawn By: N8VET	



5Turns
.25 IN DIA DRILL BIT
.25 LONG
#20

5Turns
.3125 IN DIA DRILL BIT
.25 LONG
#20

TITLE: The Veteran SDR LPF Circuit		REV: 2
Date: 2019-04-13	Sheet: 10/10	
EasyEDA V5.6.15	Drawn By: N8VET	